

MEPROLIGHT® NIGHT SIGHT SYSTEM

ML-82152
"Registered Patent"
**MEPRO FL BULLSEYE
SIGHT for HK Pistols**
(USP COMPACT Models)

General Instructions

WARNING: Before starting, make sure the weapon is unloaded.

- Remove the slide assembly from the pistol. Follow the manufacturer's instructions for removal.
- Remove the old/stock sight/s from the slide in accordance with the manufacturer's standard procedures.
- If you are unsure about the removal or installation of the sights or do not have the proper tools, contact a qualified gunsmith to perform the work.

Cleaning

- Use a suitable solvent (acetone or the like) to clean the following parts from any gun oil residue:
 - The slide assembly rear dovetail groove.
 - The dovetail part of the sight.

CAUTION: To prevent damage to non-metallic surfaces, do not use any cleaning solvents such as acetone on or around the sight dot area. Do not clean the sight with weapon lubricants or fuel. Do not immerse the sight in any fluid.

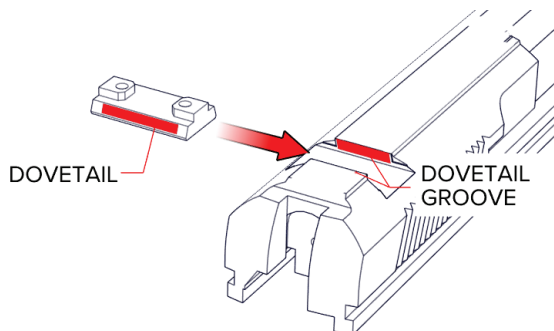
- Wipe all contacting surfaces clean and dry.

Front Sight Installation

The FL sight does not require a front sight installation. However, an existing front sight can be left as is – it will not interrupt aiming with the FL rear sight.

Rear Sight Installation

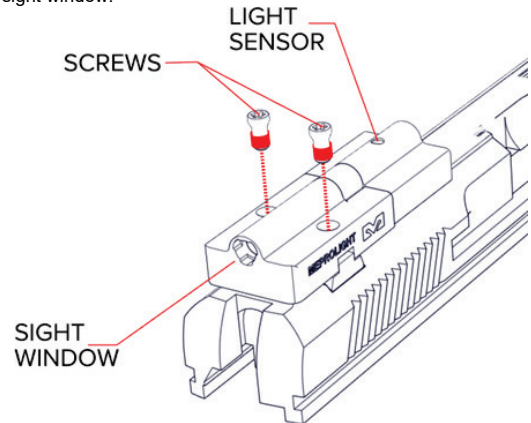
- Remove the dovetail part from the sight. Use a Torx T8 screwdriver to remove the two screws.
- Apply LOCTITE® 609 threadlocker on both angled surfaces of the dovetail groove and dovetail.
- Install the dovetail in the dovetail groove. Position the dovetail in a centered position.



- Apply LOCTITE® 609 threadlocker on the thread of the two screws.
- Position the sight in its place. Position the sight such that the window is facing the shooter.
- Install the two sight screws. Use a Torx T8 screwdriver to fasten tightly while checking that the sight is still centered.

NOTE: Make sure that the installation procedure is made long before the threadlocker cures. After installation, allow a minimum of 8 hours for the thorough curing of the threadlocker.

- Remove the adhesive strip covering the top light sensor and the sight window.



Aiming

Shooting is based on rear sight only. Align the pistol against the target. Target acquisition achieved by viewing the dot in the middle of the circle at the sight window. Make sure that the image of the circle is full and not disrupted.

Care and Maintenance of the Sight

Before shooting, make sure the aiming dot/s are clean. If necessary, wipe with a clean, dry cloth of soft cotton, rice paper or lens tissue.

NOTE: Do not use clothing fabric or other rough materials for cleaning.

CAUTION: To prevent damage to non-metallic surfaces, do not use any cleaning solvents such as acetone on or around the sight dot/s area.

MEPROLIGHT® SIGHTS

Made in Israel

Manufactured by:
Meprolight

An ISO 9001 Quality Company
ISO14001 environment
OHSAS 18001 safety

For inquiries, please contact:

International (Outside the USA)
e-mail: sales@meprolight.com
e-mail: support@meprolight.com
www.meprolight.com

USA
e-mail: sales@meprolight.us
e-mail: support@meprolight.us
www.meprolight.us

Rev. A, Mar. 2022, P/N: 821009000052